



**Project:**  
**Item Number:**  
**Quantity:**

## AFFORDABLE PORTABLE™ REFRIGERATED COLD FOOD STATIONS



### DESCRIPTION & FEATURES

- Constructed of vinyl-clad, 20-gauge carbon steel.
- Uses R513A, a non-flammable low Global Warming Potential (GWP) refrigerant
- Foamed-in-place polyurethane foam insulation.
- 1 (2.54 cm) drain makes clean-up easy.
- NSF2 buffet or NSF2 cafeteria style acrylic breath guard.
- Available in seven versatile colors.
- 18 gauge 300 Series stainless steel work surface.
- 8 ft. power cord.
- Locking casters.
- **Affordable Portable™ orders cannot be canceled or returned.**

### Lighting Option

- Factory-installed option
- Requires Buffet breath guard
- 120V
- Bulbs not included

Affordable Portable™ Refrigerated Cold Food Station  
Shown with NSF2 Buffet Breath Guard

### WARRANTY

All models shown come with Vollrath's standard warranty against defects in materials and workmanship. For full warranty details, please refer to [www.Vollrath.com](http://www.Vollrath.com).

### ITEMS

Description	Black	Walnut Woodgrain	Cherry Woodgrain	Granite	White	American Natural	Brushed Aluminum
<b>3 Pan (46") NSF2 Buffet Breath Guard Cold Food Station – 120V</b>							
Solid Base	R38713	R38950	R38773	R38733	R38733W	R38733N	R38733A
Solid Base w/ Lights	R3871346	R3895046	R3877346	R3873346	R3873346W	R3873346N	R3873346A
Open Storage Base	R38714	R38951	R38774	R38734	R38734W	R38734N	R38734A
Open Storage w/ Lights	R3871446	R3895146	R3877446	R3873446	R3873446W	R3873446N	R3873446A
Storage Base w/ Door	R38715	R38952	R38775	R38735	R38735W	R38735N	R38735A
Storage w/ Door, w/ Lights	R3871546	R3895246	R3877546	R3873546	R3873546W	R3873546N	R3873546A
<b>3 Pan (46") NSF2 Cafeteria Breath Guard Cold Food Station – 120V</b>							
Solid Base	R39713	R39950	R39773	R39733	R39733W	R39733N	R39733A
Open Storage Base	R39714	R39951	R39774	R39734	R39734W	R39734N	R39734A
Storage Base w/ Door	R39715	R39952	R39775	R39735	R39735W	R39735N	R39735A
<b>4 Pan (60") NSF2 Buffet Breath Guard Cold Food Station – 120V</b>							
Solid Base	R38716	R38960	R38776	R38736	R38736W	R38736N	R38736A
Solid Base w/ Lights	R3871660	R3896060	R3877660	R3873660	R3873660W	R3873660N	R3873660A
Open Storage Base	R38717	R38961	R38777	R38737	R38737W	R38737N	R38737A
Open Storage w/ Lights	R3871760	R3896160	R3877760	R3873760	R3873760W	R3873760N	R3873760A
Storage Base w/ Door	R38718	R38962	R38778	R38738	R38738W	R38738N	R38738A
Storage w/ Door, w/ Lights	R3871860	R3896260	R3877860	R3873860	R3873860W	R3873860N	R3873860A
<b>4 Pan (60") NSF2 Cafeteria Breath Guard Cold Food Station – 120V</b>							
Solid Base	R39716	R39959	R39776	R39736	R39736W	R39736N	R39736A
Open Storage Base	R39717	R39961	R39777	R39737	R39737W	R39737N	R39737A
Storage Base w/ Door	R39718	R39962	R39778	R39738	R39738W	R39738N	R39738A

Approvals	Date

Due to continued product improvement, please consult [www.vollrath.com](http://www.vollrath.com) for current product specifications.



[www.vollrath.com](http://www.vollrath.com)

**The Vollrath Company, L.L.C.**  
1236 North 18th Street  
Sheboygan, WI 53081-3201 U.S.A.  
Main Tel: 800.624.2051 or 920.457.4851  
Main Fax: 800.752.5620 or 920.459.6573  
Customer Service: 800.628.0830  
Canada Customer Service: 800.695.8560

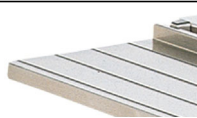
Technical Services  
[techservicereps@vollrathco.com](mailto:techservicereps@vollrathco.com)  
Induction Products: 800.825.6036  
Countertop Warming Products: 800.354.1970  
All Other Products: 800.628.0832

# AFFORDABLE PORTABLE™ REFRIGERATED COLD FOOD STATIONS

## ACCESSORIES AND ADD-ONS

### Tray Slides

- 39924 Fits 24" (61 cm)
- 39946 Fits 46" (117 cm)
- 39960 Fits 60" (152 cm)



- 300 Series stainless steel
- Fold-down mounting brackets
- 11" (27.9) tray area
- 11½" (29.2) depth
- Adds 5½" (14 cm) to depth in folded position
- Add NF in front of the item number for non-folding mode

### Cutting Boards

- 39824 Fits 24" (61 cm)
- 39846 Fits 46" (117 cm)
- 39860 Fits 60" (152 cm)



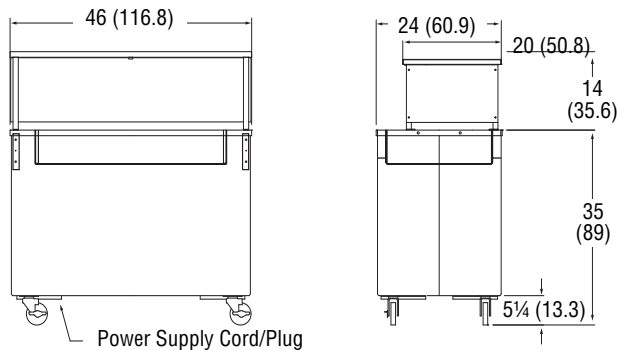
- Polyethylene
- Fold-down mounting brackets
- 7" (17.8 cm) depth
- Add 4" (10.2 cm) to depth in folded position

### Infrared Lamp Bulbs

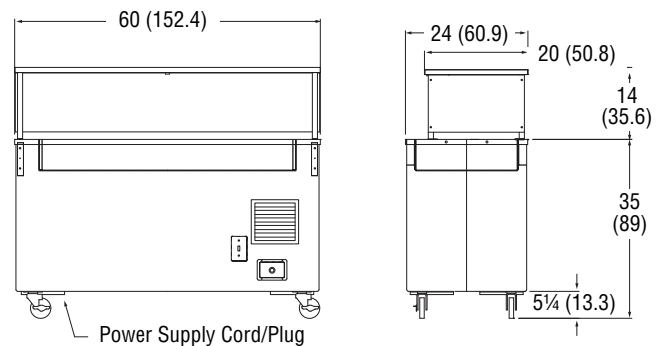
- 72242 White, 250W, 1 Dozen
- 72241 Red, 250W, 1 Dozen

## DIMENSIONS (Shown in inches (cm))

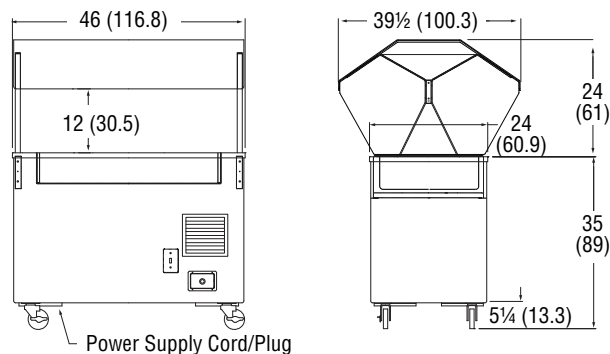
### 3 Pan Refrigerated Cold Station with NSF2 Cafeteria Breath Guard



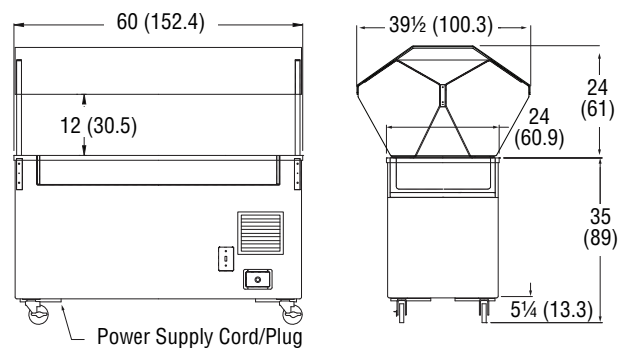
### 4 Pan Refrigerated Cold Station with NSF2 Cafeteria Breath Guard



### 3 Pan Refrigerated Cold Station with NSF2 Buffet Breath Guard



### 4 Pan Refrigerated Cold Station with NSF2 Buffet Breath Guard



**3 Well Storage Opening:** 24 x 23 x 16½ (61 x 58 x 42)

**4 Well Storage Opening:** 36 x 23 x 16½ (91.59/29/19 x 58 x 42)

### Plate Rests

- 38992 Fits 24" (61 cm)
- 38993 Fits 46" (117 cm)
- 38994 Fits 60" (152 cm)



- Stainless steel
- Fold-down mounting brackets
- 7" (17.8 cm) depth
- Adds 4½" (11.4 cm) to depth in folded position
- Add NF in front of the item number for non-folding model

## SPECIFICATIONS

Description	HP	Peak Heat of Rejection BTUH	Volts	Hz	Amps	Refrig. Charge	NEMA Plug
3 Pan	1/5	2800	120	60	3.5	7 oz.	5-15P
3 Pan w/ Lights*					4.1		
4 Pan	1/3	4800	120	60	7.8	7 oz.	5-15P
4 Pan w/ Lights*					9		

120V

NEMA 5-15R

\*Incandescent lamps (40W maximum per fixture)



[www.vollrath.com](http://www.vollrath.com)

### The Vollrath Company, L.L.C.

1236 North 18th Street  
 Sheboygan, WI 53081-3201 U.S.A.  
 Main Tel: 800.624.2051 or 920.457.4851  
 Main Fax: 800.752.5620 or 920.459.6573  
 Customer Service: 800.628.0830  
 Canada Customer Service: 800.695.8560

### Technical Services

[techservicereps@vollrathco.com](mailto:techservicereps@vollrathco.com)  
 Induction Products: 800.825.6036  
 Countertop Warming Products: 800.354.1970  
 All Other Products: 800.628.0832